

[TopPage](#)>>[Search Result](#)>>7220DB

# Angular Contact Ball Bearings

Bearing No. : **NACHI 7220DB**

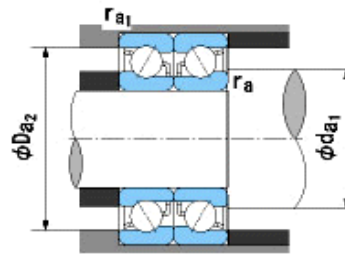
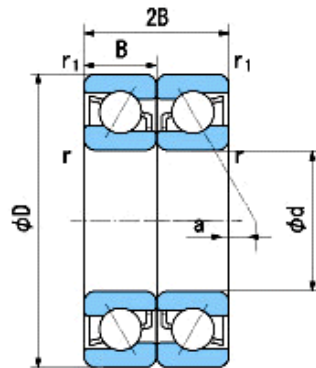
■ Bearing Type

■ Clearance

■ Tolerance Class

### Dimensions

$d = 100$   
 $D = 180$   
 $B = 34$   
 $r = 2.1 \sim 4$   
 (Radial Direction)  
 $r = 2.1 \sim 6.5$   
 (Axial Direction)  
 $r_1 = 1.1 \sim 2$   
 (Radial Direction)  
 $r_1 = 1.1 \sim 3.5$   
 (Axial Direction)  
 $a = 23.4$



### Dimensions

$da1(\min) = 112$   
 $da2(\min) = 107$   
 $Da1(\max) = 168$   
 $Da2(\max) = 173$   
 $ra(\max) = 2$   
 $ra1(\max) = 1$   
 Mass = 6.64 kg

Basic Dynamic Load Rating  $C_r$  : **234,000** N

Basic Static Load Rating  $C_{or}$  : **251,000** N

Limiting Speed ;

Grease Lubrication : **2,400**  $\text{min}^{-1}$

Oil Lubrication : **3,400**  $\text{min}^{-1}$

	INNER RING	OUTER RING
O.D.Surface Runout with Side :		-
Axial Runout with Bore :	-	-
Axial Runout with Raceway :	-	-
Width Variation :	<b>0.025</b>	<b>0.025</b>
Radial Runout :	<b>0.025</b>	<b>0.045</b>